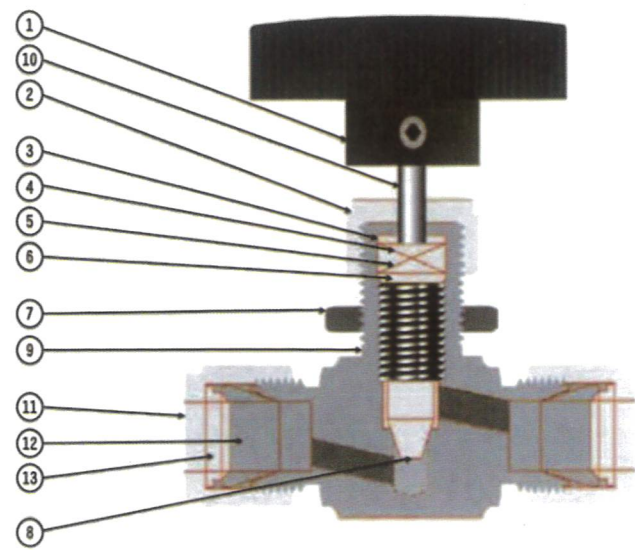


Needle Valve



Materials of Construction

Item	Description	Material
1	HANDLE	Black nylon with metal position stops
2	PACKING NUT	SUS316
3	UPPER GLAND	SUS316
4	UPPER PACKING	PTFE
5	LOWER PACKING	PTFE
6	LOWER GLAND	SUS316
7	PANEL NUT	SUS316
8	STEM TIP	SUS316, PTFE
9	BODY	SUS316
10	STEM	SUS316
11	BODY NUT	SUS316
12	FRONT FERRULE	SUS316
13	BACK FERRULE	SUS316

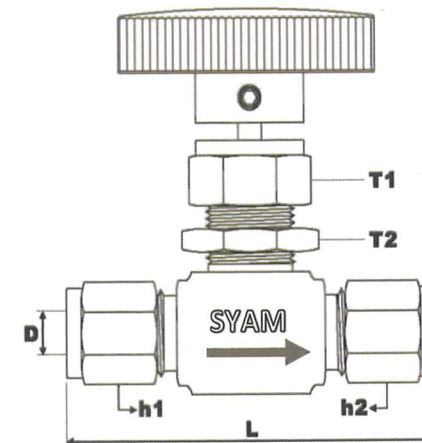
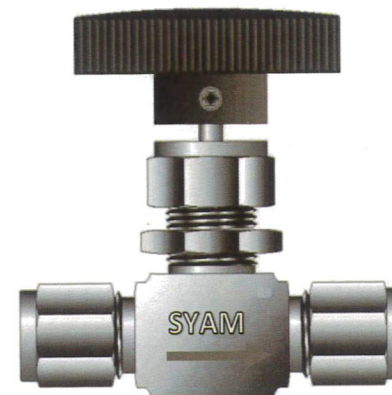
- Pressure Rating
3000PSI
- Temperature Rating
-40°C to 180°C
(-65°F to 350°F)



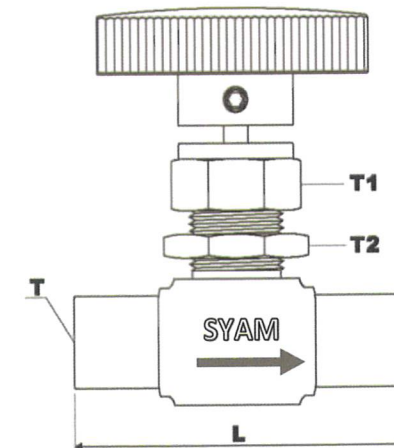
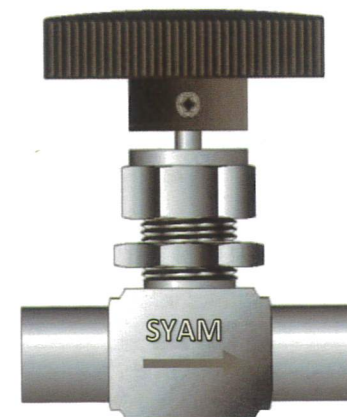
Features

- Light weight, compact design
- Choice of two non-rotating stem types:
All metal, blunt stem tip
PTFE stem tip.
- Non rotation lower stem extends packing and valve life.
- Panel mountable.
- Choice of replaceable end connections provides added system versatility. Size: 1/4" through 3/4", 6mm through 12mm
- 100% factory tested.

- Needle Valve
- Table of Dimensions



Part No.	Tube OD	D	T1	T2	h1	h2	L
	T(inch)						
SM-NV6M	6mm	6.2	17	19	14	14	59
SM-NV-8M	8mm	8.2	17	19	16	16	63
SM-NV-10M	10mm	10.2	19	22	19	19	67
SM-NV-12M	12mm	12.2	22	24	22	22	83
SM-NV4	1/4	6.53	17	19	14	14	59
SM-NV6	3/8	9.7	19	22	17	17	67
SM-NV8	1/2	12.88	22	24	22	22	83



Part No.	T	T1	T2					L
SM-NV2FT	1/4	17	19					49
SM-NV3FT	3/8	19	22					57
SM-NV4FT	1/2	22	24					73
SM-NV6FT	3/4	30	30					76