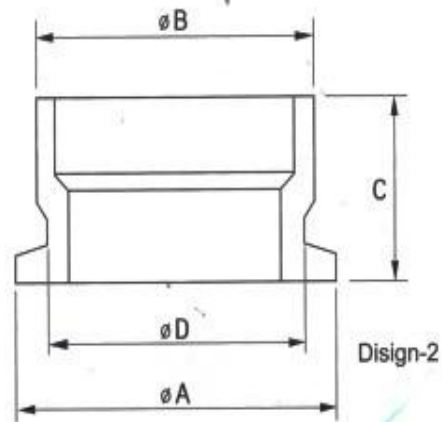
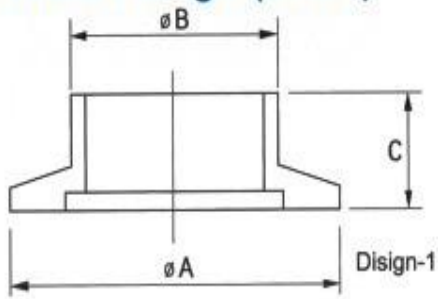


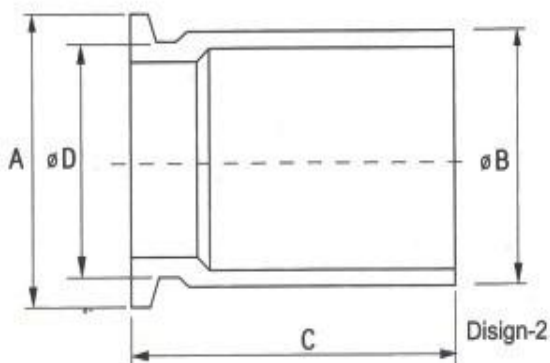
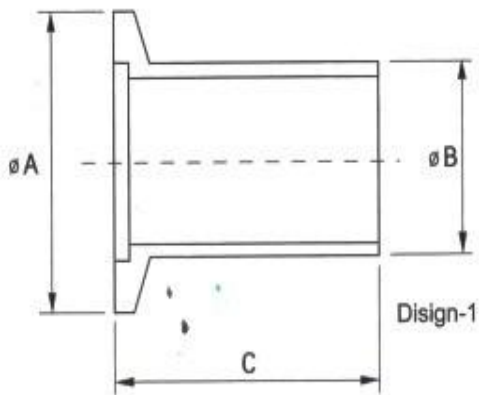
NW/ISO FLANGE FITTINGS SERIES

Weld Flange (Short)



Size	Available area	Material	A	B	C	D	Design
NW25	Japan	304 S.S.	40	27.2	20	-	1
NW25	Japan	304 S.S.	40	34	20	32	2
NW40	Japan	304 S.S.	55	42.7	20	-	1
NW40	Japan	304 S.S.	55	48.6	20	45	2
NW50	Japan	304 S.S.	75	60.5	20	-	1

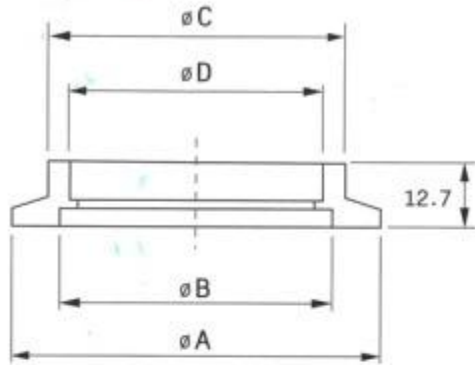
Weld Flange (Long)



Size	Available area	Material	A	B	C	D	Design
NW10	U.S.A.	304 S.S.	30	12.7	40	-	1
NW16	U.S.A.	304 S.S.	30	19.05	40	-	1
NW25	U.S.A.	304 S.S.	40	25.4	40	-	1
NW40	U.S.A.	304 S.S.	55	38.1	40	-	1
NW50	U.S.A.	304 S.S.	75	50.8	40	-	1
NW25	Japan	304 S.S.	40	34	40	32	2
NW40	Japan	304 S.S.	55	48.6	40	45	2
NW50	Japan	304 S.S.	75	60.5	40	-	1

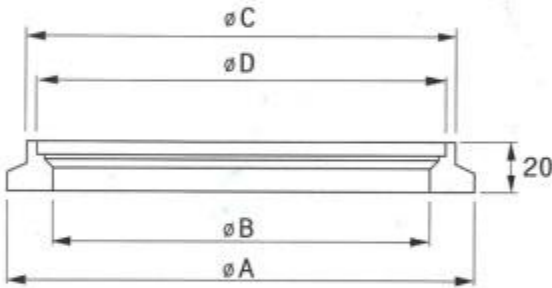
NW/ISO FLANGE FITTINGS SERIES

Socket Wled Flange



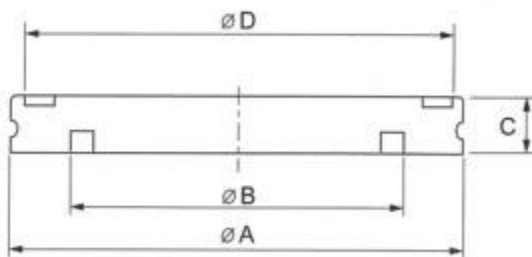
Size	Material	A	B	C	D
NW10	304 S.S.	30	12.2	16.5	13
NW16	304 S.S.	30	17.2	20.5	19.3
NW25	304 S.S.	40	26.2	29	25.7
NW40	304 S.S.	55	41.2	44.7	38.4
NW50	304 S.S.	75	52.2	57.4	51
NW63	304 S.S.	87	70	67.5	63.7

Socket Wled Flange



Size	Material	A	B	C	D
NW80	304 S.S.	114	83	98	89.5
NW100	304 S.S.	134	102	118	114.5
NW160	304 S.S.	190	153	174	165.5

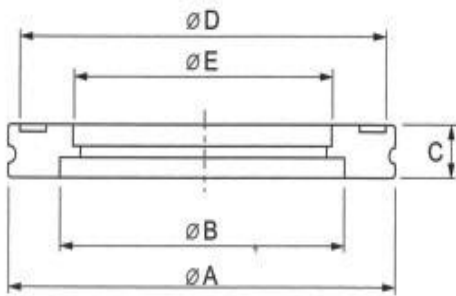
Blank



Size	Material	A	B	C	D
ISO63	304 S.S.	95	70	12	90
ISO80	304 S.S.	110	83	12	105
ISO100	304 S.S.	130	102	12	125
ISO160	304 S.S.	180	153	12	175
ISO200	304 S.S.	240	213	12	235
ISO250	304 S.S.	290	261	12	285
ISO320	304 S.S.	370	318	17	365
ISO400	304 S.S.	450	400	17	445
ISO500	304 S.S.	550	501	17	545

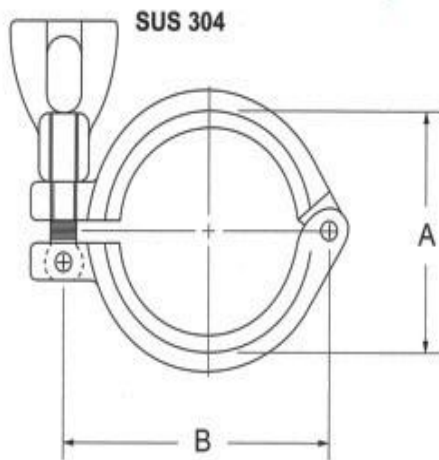
NW/ISO FLANGE FITTINGS SERIES

Bored Blank

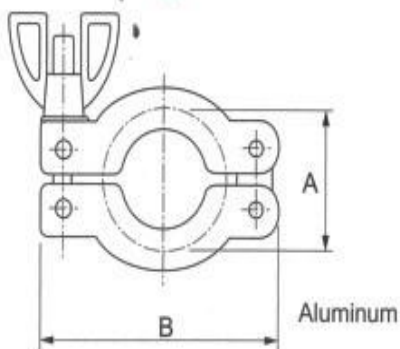


Size	Material	A	B	C	D	E
ISO63	304 S.S.	95	70	12	90	63.7
ISO80	304 S.S.	110	83	12	105	76.4
ISO100	304 S.S.	130	102	12	125	101.8
ISO160	304 S.S.	180	153	12	175	152.9
ISO200	304 S.S.	240	213	12	235	203.7
ISO250	304 S.S.	290	261	12	285	254.5
ISO320	304 S.S.	370	318	17	365	305.3
ISO400	304 S.S.	450	400	17	445	406.9
ISO500	304 S.S.	550	501	17	545	508.8

Clamp



Size	Material	A	B
NW16 / NW10	304.S.S./Al	33	49
NW25	304.S.S./Al	41.5	61.5
NW40	304.S.S./Al	62	78
NW50	304.S.S./Al	80.5	98

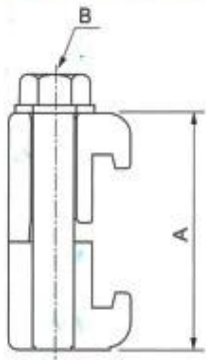


Size	Material	A	B	C
NW16	Aluminum	35.3	62	16.6
NW25	Aluminum	43	72	16.6
NW40	Aluminum	58.5	90	16.6
NW50	Aluminum	80	113	20.6



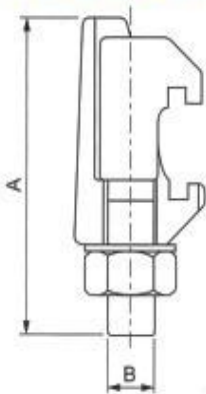
NW/ISO FLANGE FITTINGS SERIES

Double Wall Clamp



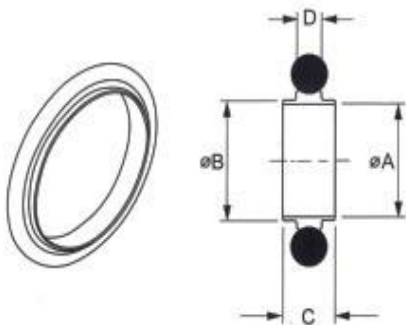
Model No.	Material	A	B	Quantity	Fit Flange
ISO63-100DWCA	Aluminum	45	M8	4	ISO63
				4	ISO80
				4	ISO100
ISO160-250DWCA	Aluminum	45	M10	4	ISO160
				6	ISO200
				6	ISO250
ISO320-500DWCA	Aluminum	60	M12	8	ISO320
				8	ISO400
				12	ISO500

Double Claw Clamp



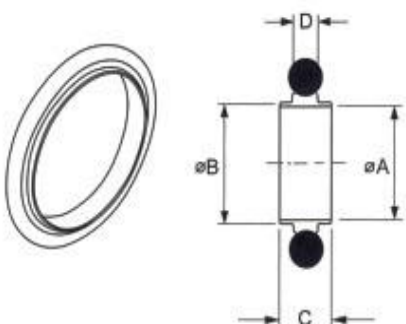
Model No.	Material	A	B	Quantity	Fit Flange
ISO63-250DCC	304 S.S.	61.5	M10	4	ISO63
				4	ISO80
				4	ISO100
				4	ISO160
				6	ISO200
				6	ISO250
ISO320-500DCC	304 S.S.	76	M12	8	ISO320
				8	ISO400
				12	ISO500
ISO630DCC	304 S.S.	86	M12	12	ISO630

NW Centering Ring With O'Ring



Size	Material		A	B	C	D
	C/R	O'Ring				
NW10	304 S.S.	Viton	10	12	8	3.9
NW16	304 S.S.	Viton	16	17	8	3.9
NW25	304 S.S.	Viton	25	26	8	3.9
NW40	304 S.S.	Viton	40	41	8	3.9
NW50	304 S.S.	Viton	50	52	8	3.9

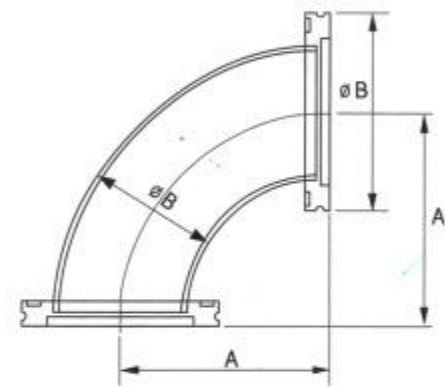
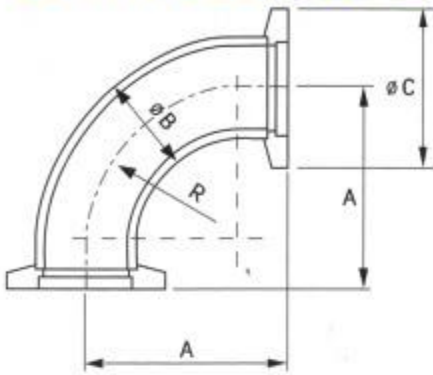
ISO Centering Ring With O'Ring



Size	Material		A	B	C	D
	C/R	O'Ring				
ISO63	304 S.S.	Viton	67	69.5	8	3.9
ISO80	304 S.S.	Viton	80	82.6	8	3.9
ISO100	304 S.S.	Viton	100	101.6	8	3.9
ISO160	304 S.S.	Viton	150	152.6	8	3.9
ISO200	304 S.S.	Viton	210	212.6	8	3.9
ISO250	304 S.S.	Viton	257	260.4	8	3.9
ISO320	304 S.S.	Viton	312	317.3	12	5.6
ISO400	304 S.S.	Viton	394	399.2	12	5.6
ISO500	304 S.S.	Viton	494	500.2	12	5.6

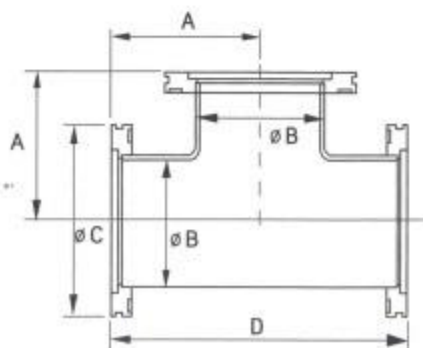
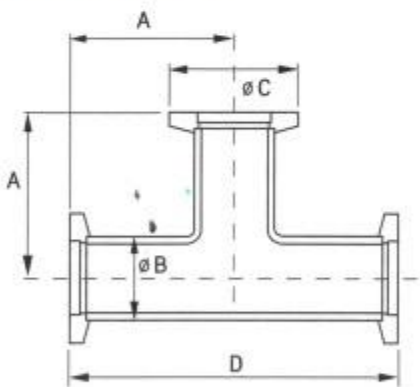
NW/ISO FLANGE FITTINGS SERIES

ISO-NW Elbow 90° Smooth Radius



Size	Material	A	B	C	R
NW16	304 S.S.	41.3	19.05	30	28.6
NW25	304 S.S.	42	25.4	40	38.1
NW40	304 S.S.	61	38.1	55	57.2
NW50	304 S.S.	80	50.8	75	76.2
ISO63	304 S.S.	102	63.5	95	95.3
ISO80	304 S.S.	121	76.2	110	114.3
ISO100	304 S.S.	159.4	101.6	130	152.4
ISO160	304 S.S.	235.2	152.4	180	228.6

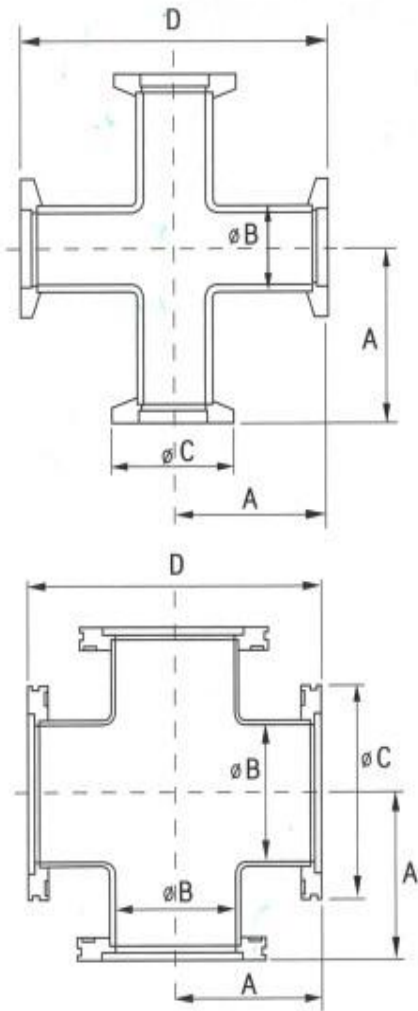
ISO-NW Tee



Size	Material	A	B	C	D
NW16	304 S.S.	38.1	19.05	30	76.2
NW25	304 S.S.	51.4	25.4	40	102.8
NW40	304 S.S.	61	38.1	55	122
NW50	304 S.S.	80	50.8	75	160
ISO63	304 S.S.	82.8	63.5	95	166
ISO80	304 S.S.	89.5	76.2	110	179
ISO100	304 S.S.	105.4	101.6	130	210.8
ISO160	304 S.S.	134	152.4	180	268

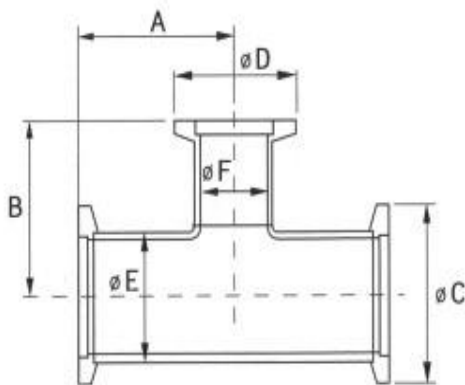
NW/ISO FLANGE FITTINGS SERIES

ISO-NW 4-Way Cross



Size	Material	A	B	C	D
NW16	304 S.S.	38.1	19.05	30	76.2
NW25	304 S.S.	51.4	25.4	40	102.8
NW40	304 S.S.	61	38.1	55	122
NW50	304 S.S.	80	50.8	75	160
ISO63	304 S.S.	83	63.5	95	166
ISO80	304 S.S.	89.5	76.2	110	179
ISO100	304 S.S.	105.4	101.6	130	210.8
ISO160	304 S.S.	134	152.4	180	268

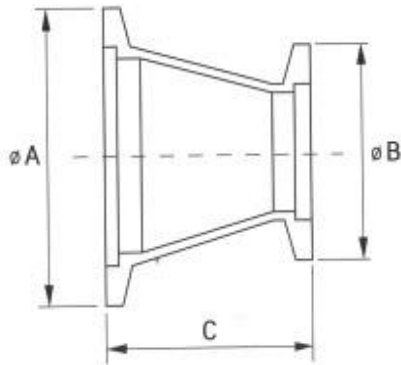
NW Unequal Tees



Size	Material	A	B	C	D	E	F
NW25XNW16	304 S.S.	51.4	37.5	40	30	25.4	19.05
NW40XNW16	304 S.S.	61	52	55	30	38.1	19.05
NW40XNW25	304 S.S.	61	57.8	55	40	38.1	25.4
NW50XNW16	304 S.S.	80	58.2	75	30	50.8	19.05
NW50XNW25	304 S.S.	80	64.1	75	40	50.8	25.4
NW50XNW40	304 S.S.	80	67.3	75	55	50.8	38.1

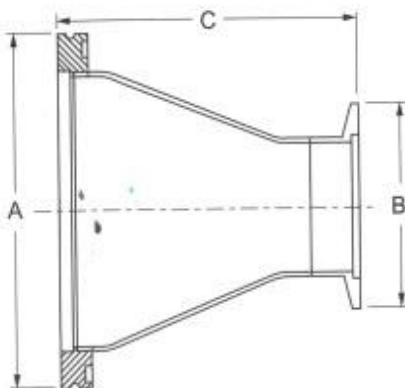
NW/ISO FLANGE FITTINGS SERIES

Conical Reducing Adaptor

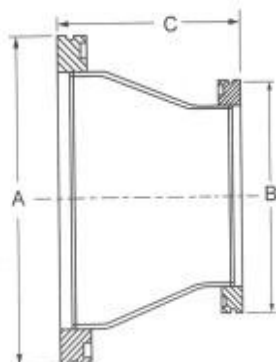


SIZE	Material	A	B	C
NW25XNW16	304 S.S.	40	30	40
NW40XNW16	304 S.S.	55	30	40
NW40XNW25	304 S.S.	55	40	40
NW50XNW16	304 S.S.	75	30	40
NW50XNW25	304 S.S.	75	40	40
NW50XNW40	304 S.S.	75	55	40

ISO-NW Conical Reducing Adaptor

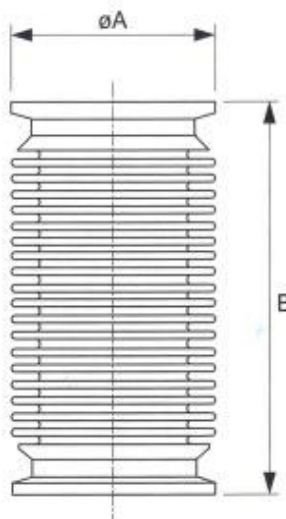


Size	Material	A	B	C
ISO80XNW40	304 S.S.	110	55	112.6
ISO80XNW50	304 S.S.	110	75	103
ISO100XNW40	304 S.S.	130	55	112.6
ISO100XNW50	304 S.S.	130	75	112.6
ISO100XISO80	304 S.S.	130	110	106
ISO160XISO100	304 S.S.	180	130	154

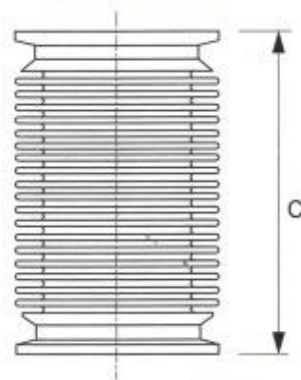


NW/ISO FLANGE FITTINGS SERIES

NW/ISO Conical Bellows Connections



Compressed length
壓縮後長度



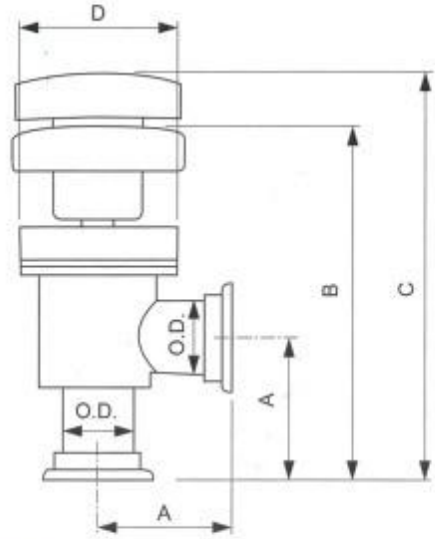
Model No	Material Excluding Bellows	A	B	C
NW10	304 S.S.	30	100	80
NW16	304 S.S.	30	100	80
NW25	304 S.S.	40	100	80
NW40	304 S.S.	55	100	80
NW50	304 S.S.	75	100	80
ISO63	304 S.S.	95	180	160
ISO80	304 S.S.	110	180	160
ISO100	304 S.S.	130	180	160
ISO160	304 S.S.	180	200	180

*The length depend on demand production

*長度可依實際需求製作

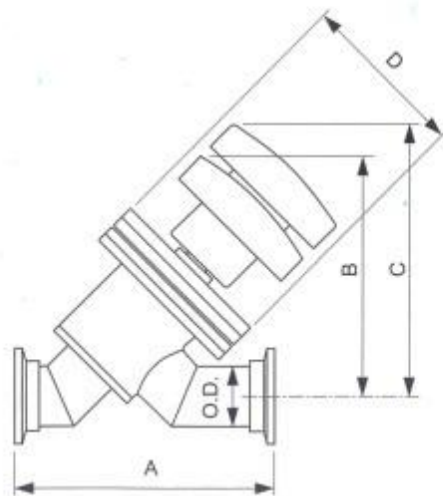
VALVE SERIES

Manually Operated Angle Valves with Bellows -90°



Model NO.	O.D.	A	B	C	D
AV-NW16-90-M	19.05	54.6	137.4	156.2	56.9
AV-NW25-90-M	25.4	51.6	130.3	150	56.9
AV-NW40-90-M	38.1	61	157.5	190	75.7
AV-NW50-90-M	50.8	86.4	207	252	88.4

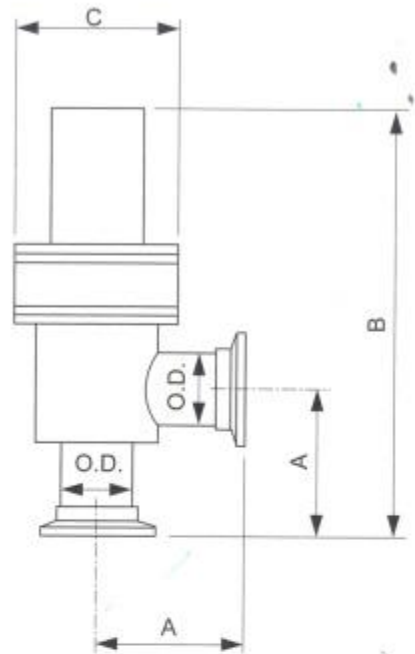
Manually Operated Angle Valves with Bellows -180°



Model NO.	O.D.	A	B	C	D
AV-NW16-180-M	19.05	101.6	98.8	112.5	56.9
AV-NW25-180-M	25.4	106.7	98.8	112.5	56.9
AV-NW40-180-M	38.1	130	124.2	147.3	75.7
AV-NW50-180-M	50.8	177.8	142	173.5	88.4

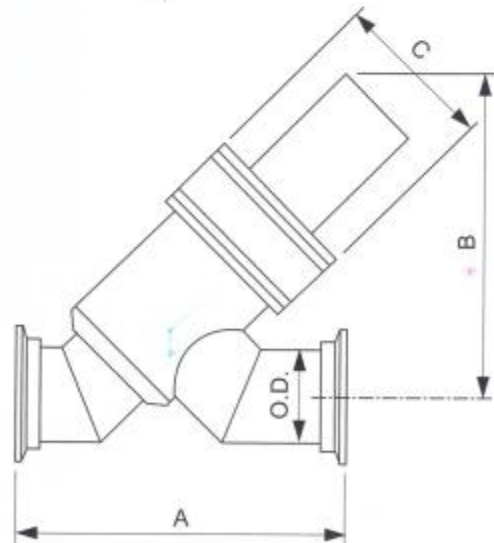
VALVE SERIES

Pneumatically Actuated Angle Valves with Bellows -90°



Model NO.	O.D.	A	B	C
AV-NW16-90-P	19.05	54.6	156.7	56.9
AV-NW25-90-P	25.4	51.6	150.4	56.9
AV-NW40-90-P	38.1	61	193	75.7
AV-NW50-90-P	50.8	86.4	262.4	88.4

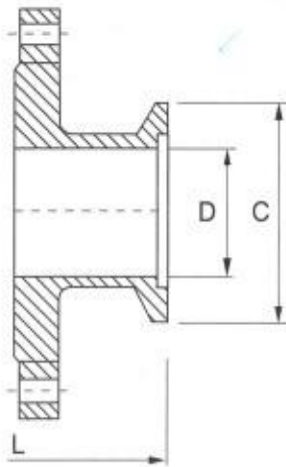
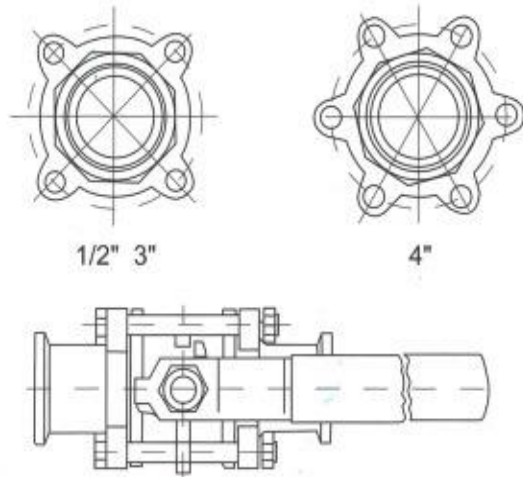
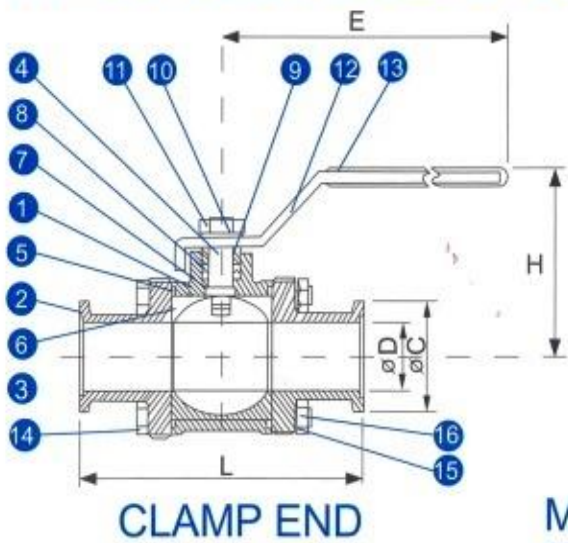
Pneumatically Actuated Angle Valves with Bellows -180°



Model NO.	O.D.	A	B	C
AV-NW16-180-P	19.05	101.6	105.4	56.9
AV-NW25-180-P	25.4	106.7	105.7	56.9
AV-NW40-180-P	38.1	130	145	75.7
AV-NW50-180-P	50.8	177.8	181.6	88.4

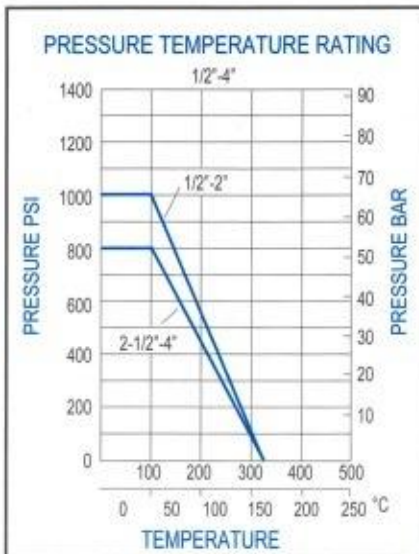
VALVE SERIES

NW/ISO FLANGE BALL VALVE



MATERIALS LIST

NO	PART NAME	Q'TY	MATERIAL
1	BODY	1	CF8M
2	END CAP	2	CF8M
3	BALL	1	SUS316
4	STEM	1	SUS316
5	BODY SEAL	2	PTFE
6	SEAT/CAVITY FILLER	2	PTFE
7	STEM SEAL	1	PTFE
8	STEM PACKING	1	PTFE
9	GLAND NUT	1	SUS304
10	STEM WASHER	1	SUS304
11	STEM NUT	1	SUS304
12	HANDLE	1	SUS304
13	HANDLE SLEEVE	1	VINYL
14	BOLT	*	SUS304
15	WASHER	*	SUS304
16	BOLT NUT	*	SUS304

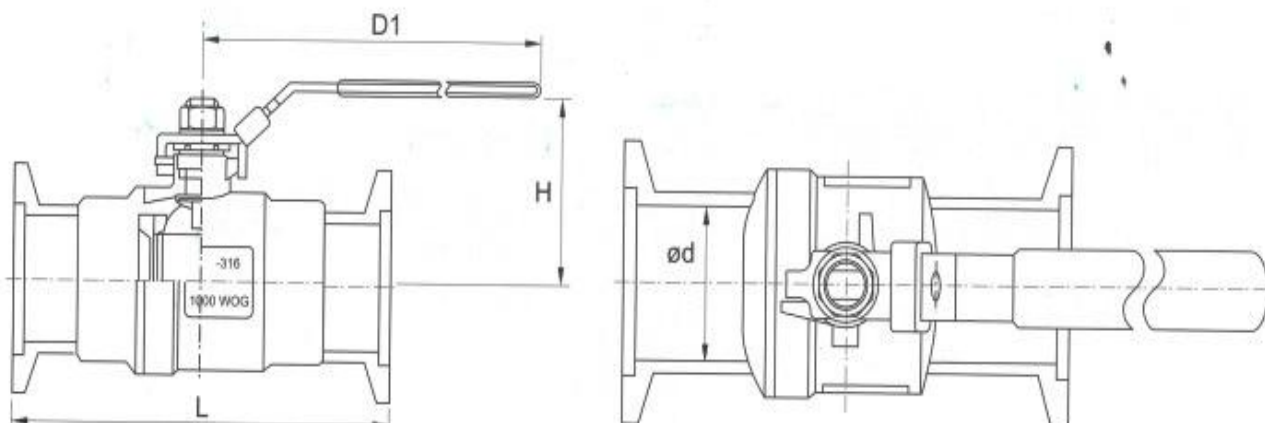


DIMENSIONS

Size	ØC	ØD	E	H	L
Nw16	30	15.9	105	62.5	125
Nw25	40	22.2	128	70.7	120
Nw40	55	36	128	76.2	112
Nw50	75	46	154	89.1	135
Nw50	75	50	194	98	145
Iso80	110	72	194	110.6	210
Iso100	130	97.4	335	168.5	257

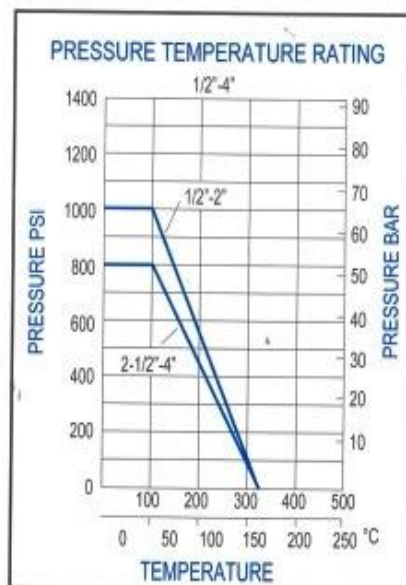
VALVE SERIES

NW/ISO FLANGE BALL VALVE 2PC



MATERIALS LIST

NO	PART NAME	MATERIAL	Q'TY
1	BODY	ASTM A351 Gr. CF8M	1
2	CAP	ASTM A351 Gr. CF8M	2
3	BALL	ASTM A276 Gr. 316	1
4	STEM	PTFE	1
5	SEAL	PTFE	2
6	GASKET	PTFE	2
7	PACKING	PTFE	1
8	GLAND	S.S. 304	1
9	HANDLE	S.S. 304	1
10	STEM WASHER	S.S. 304	1
11	HAMDLE NUT	S.S. 304	1
12	HANDLE SLEEVE	VINYL GRIP	1

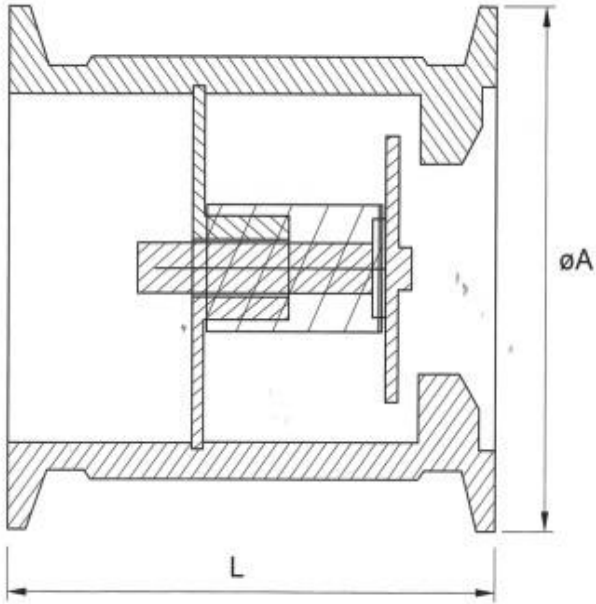


DIMENSIONS

Size	ød	L	H	D1
NW40	34.1	120	70.7	128
NW50	46.8	135	89.1	154
ISO80	72	183	110.6	194
ISO100	97.4	184	120	276

VALVE SERIES

NW FLANGE CHECK VALVE



DIMENSIONS

Size	A	L	Material
NW40	55	65	SUS 304
NW50	75	75	SUS 304

Materials:

- Forged / Stainless Steel Round Bar
- Gasket: Viton
- Spring: Steel