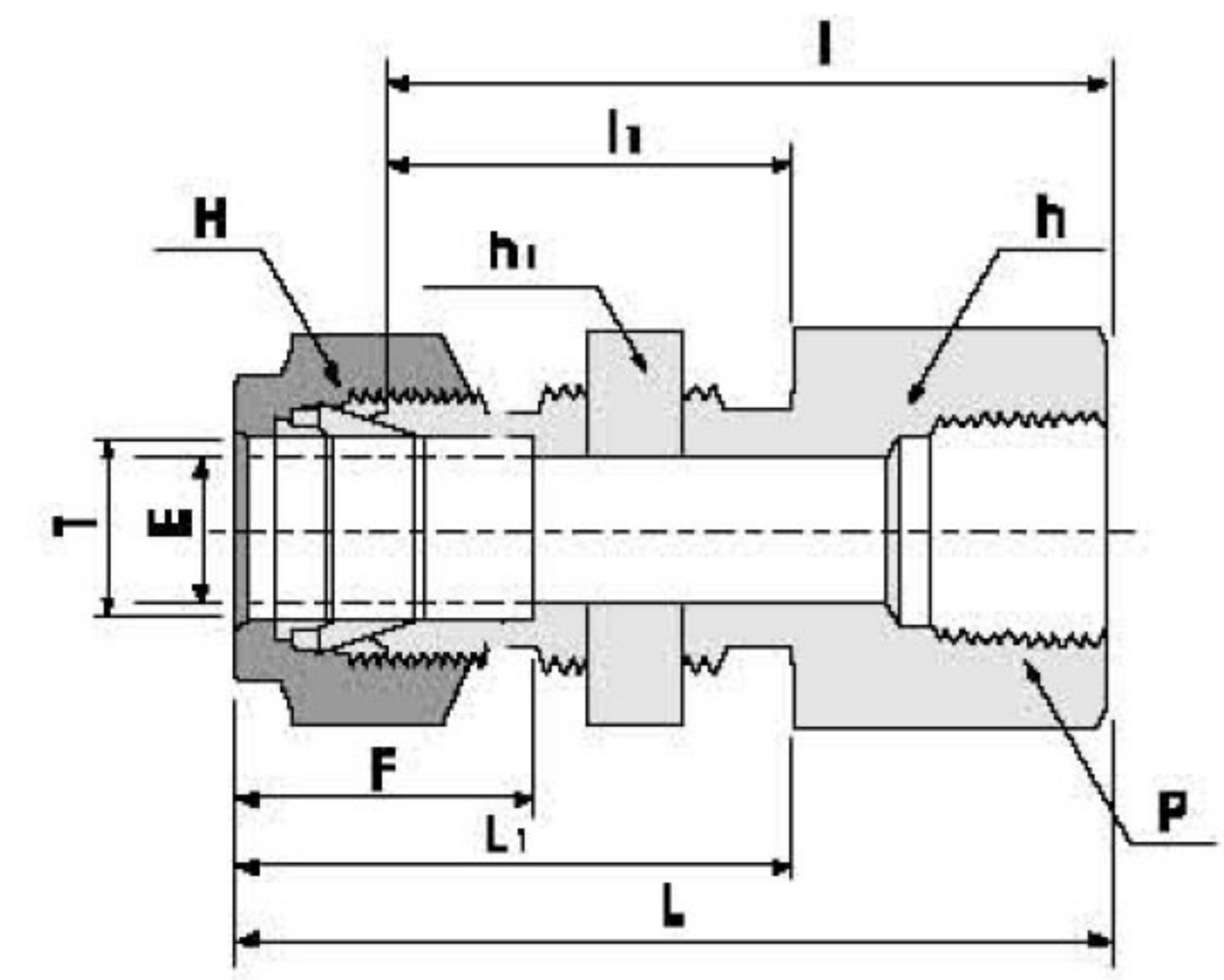


Bulkhead Female Connector SM-BFC



UNIT:mm

Part No.	Tube O.D.	P	E Min	h	h1	H	F	I1	I	L1	L	Panel Hole Diill Size	Max Panel Thickness
	T(inch)												
SM-BFC2-2T	1/8	1/8	2.5	14	14	11	12.7	24.6	38.1	31.2	44.7	8.3	12.7
SM-BFC4-2T	1/4	1/8	5	16	16	14	15.2	26.2	39.6	33.5	47.0	11.5	10.2
SM-BFC4-4T	1/4	1/4	5	17	14	14	15.2	26.2	44.5	33.5	51.8	11.5	10.2
SM-BFC6-4T	3/8	1/4	8	17	19	17	16.8	28.0	47.8	36.8	55.1	14.7	11.2
SM-BFC8-6T	1/2	3/8	10	24	24	22	22.9	31.8	51.6	41.9	61.7	19.4	12.7
SM-BFC8-8T	1/2	1/2	10	27	24	22	22.9	31.8	56.4	41.9	66.5	19.4	12.7

UNIT:mm

Part No.	Tube O.D.	P	E Min	h	h1	H	F	I1	I	L1	L	Panel Hole Diill Size	Max Panel Thickness
	T(mm)												
SM-BFC6M-2T	6	1/8	5	16	16	14	15.3	26.2	39.6	33.6	47.0	11.5	10.2
SM-BFC6M-4T	6	1/4	5	17	17	14	15.3	26.2	44.5	33.6	51.8	11.5	10.2
SM-BFC8M-4T	8	1/4	8	17	17	16	16.2	28.4	49.0	36.1	54.2	13.1	11.2
SM-BFC12M-6T	12	3/8	10	24	24	22	22.8	31.8	51.6	41.9	61.7	19.5	12.7
SM-BFC12M-8T	12	1/2	10	27	24	22	22.8	31.8	56.4	41.9	66.5	19.5	12.7