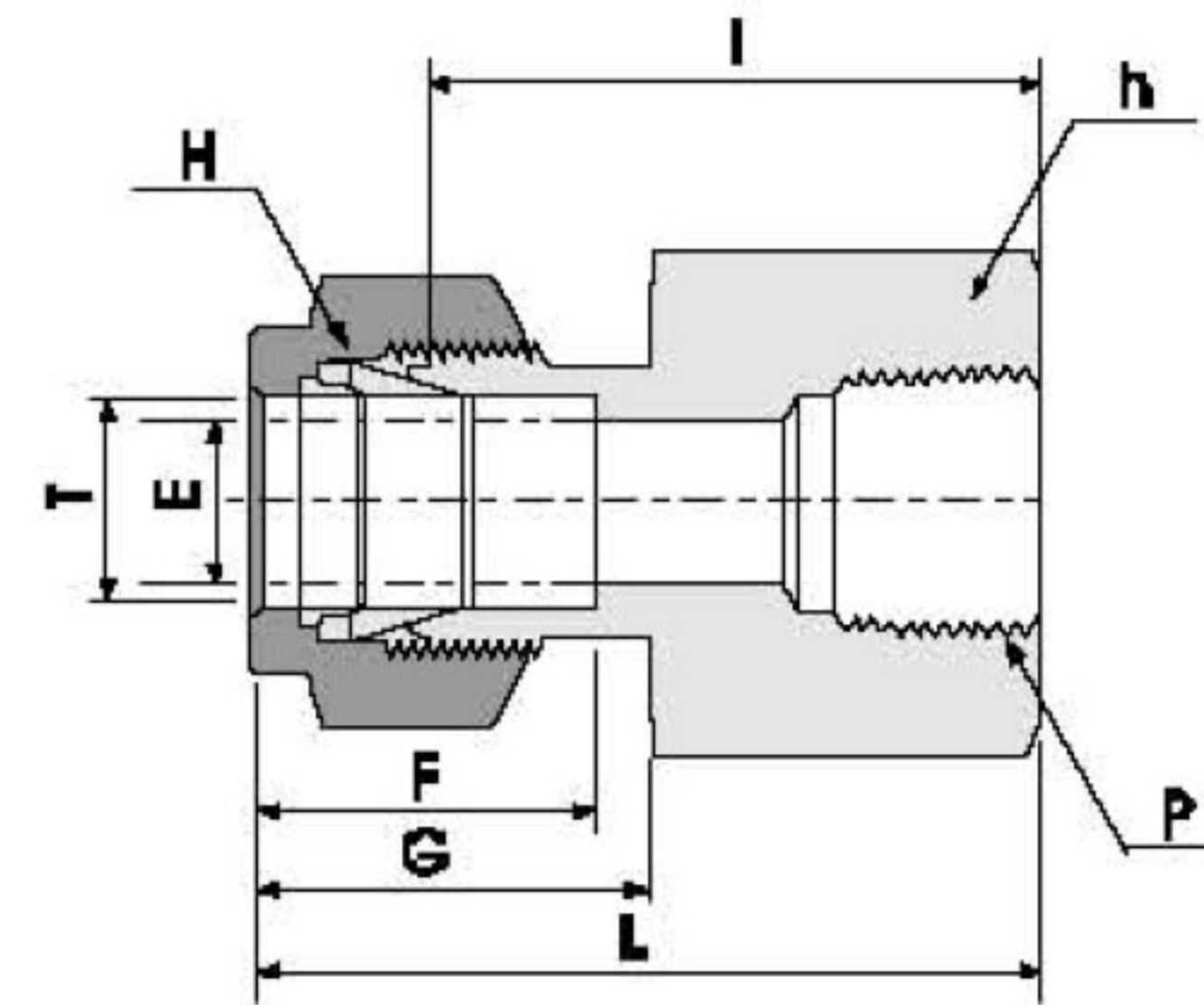


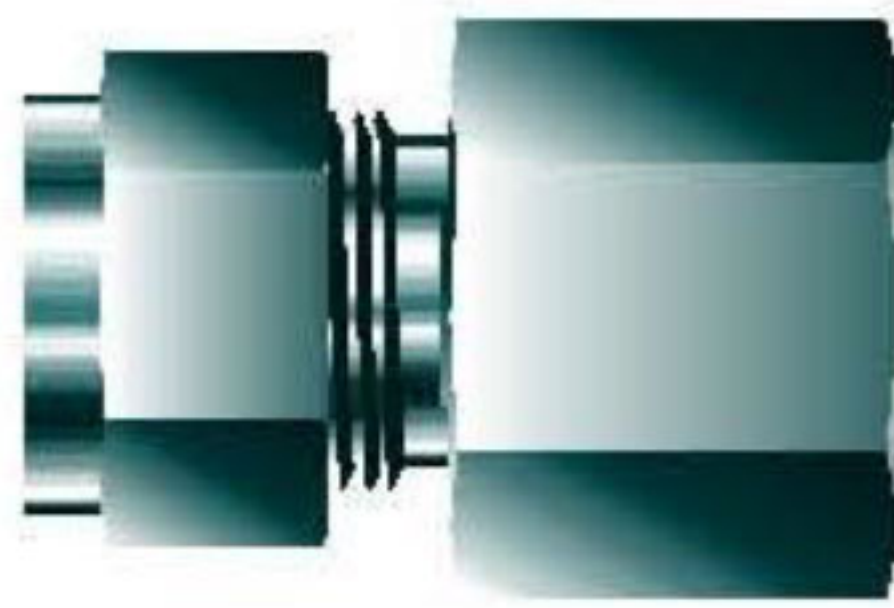


**Female Connector
SM-FC**

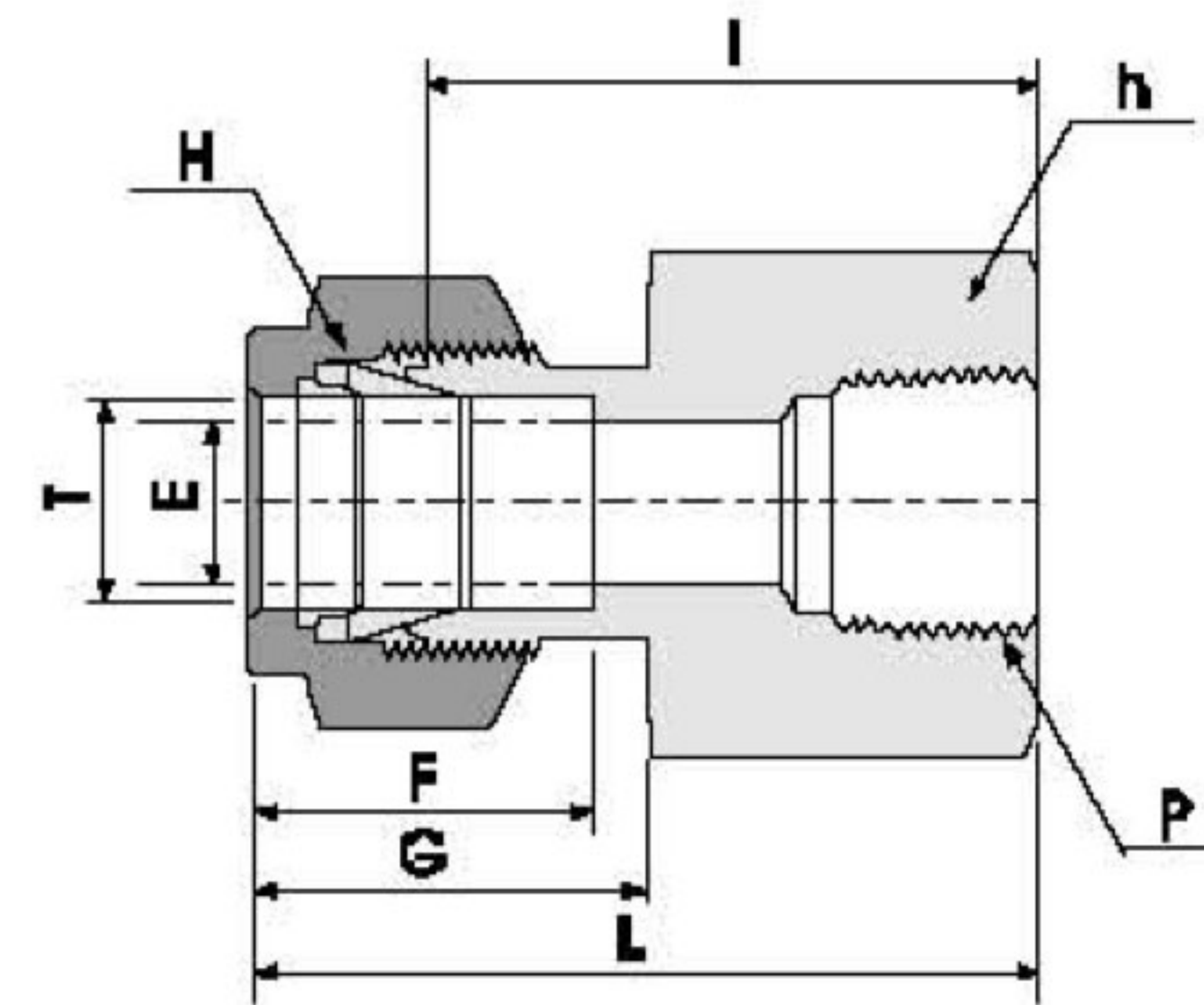


UNIT:mm

Part No.	Tube O.D.	P	E Min	h	H	F	G	I	L
	T(mm)								
SM-FC4M-2T	4	1/8	2.5	12	12	13.7	16.1	24.1	29.7
SM-FC4M-4T	4	1/4	5	14	14	15.3	17.7	24.9	31.3
SM-FC6M-4T	6	1/4	5	17	14	15.3	17.7	28.4	35.8
SM-FC6M-6T	6	3/8	5	22	14	15.3	17.7	29.5	36.9
SM-FC6M-8T	6	1/2	5	27	14	15.3	17.7	34.1	42.5
SM-FC8M-2T	8	1/8	6	14	16	16.2	18.6	24.6	32.1
SM-FC8M-4T	8	1/4	6	17	16	16.2	18.6	29.5	37.0
SM-FC8M-6T	8	3/8	6	22	16	16.2	18.6	29.5	37.0
SM-FC8M-8T	8	1/2	6	27	16	16.2	18.6	35.8	43.3
SM-FC10M-2T	10	1/8	8	17	19	17.2	19.5	25.4	33.0
SM-FC10M-4T	10	1/4	8	17	19	17.2	19.5	30.2	37.8
SM-FC10M-6T	10	3/8	8	22	19	17.2	19.5	31.0	38.6
SM-FC10M-8T	10	1/2	8	27	19	17.2	19.5	36.6	44.2
SM-FC12M-2T	12	1/8	8	20	22	22.8	22.0	28.4	38.5
SM-FC12M-4T	12	1/4	10	20	22	22.8	22.0	30.2	40.3
SM-FC12M-6T	12	3/8	10	22	22	22.8	22.0	31.0	41.1
SM-FC12M-8T	12	1/2	10	27	22	22.8	22.0	36.6	46.7
SM-FC12M-12T	12	3/4	10	32	22	22.8	22.0	37.9	49.0
SM-FC15M-8T	15	1/2	12	24	27	24.4	22.0	36.6	46.7



**Female Connector
SM-FC**



UNIT:mm

Part No.	Tube O.D.	P	E Min	h	H	F	G	I	L
	T(inch)								
SM-FC2-2T	1/8	1/8	2.5	12	12	12.7	15.2	23.6	28.7
SM-FC-2-4T	1/8	1/4	2.5	17	12	12.7	15.2	27.9	33.5
SM-FC4-2T	1/4	1/8	5	14	14	15.2	17.8	24.8	31.2
SM-FC4-4T	1/4	1/4	5	17	14	15.2	17.8	28.4	35.8
SM-FC4-6T	1/4	3/8	5	22	14	15.2	17.8	29.2	37.6
SM-FC4-8T	1/4	1/2	5	27	14	15.2	17.8	34.1	42.4
SM-FC6-2T	3/8	1/8	8	16	17	16.8	19.3	25.4	32.8
SM-FC6-4T	3/8	1/4	8	17	17	16.8	19.3	30.2	37.6
SM-FC6-6T	3/8	3/8	8	22	17	16.8	19.3	31.8	39.1
SM-FC6-8T	3/8	1/2	8	27	17	16.8	19.3	36.6	43.9
SM-FC6-12T	3/8	3/4	8	32	17	16.8	19.3	37.4	47.8
SM-FC8-4T	1/2	1/4	10	20	22	22.9	21.8	30.2	40.4
SM-FC8-6T	1/2	3/8	10	22	22	22.9	21.8	31.8	41.9
SM-FC8-8T	1/2	1/2	10	27	22	22.9	21.8	31.8	46.7
SM-FC8-12T	1/2	3/4	10	32	22	22.9	21.8	37.1	48.3
SM-FC12-8T	3/4	1/2	12	27	30	24.4	21.8	37.6	46.7
SM-FC12-12T	3/4	3/4	16	32	30	24.4	21.8	39.1	48.3
SM-FC16-12T	1	3/4	22	35	38	31.2	26.4	41.1	53.3
SM-FC16-16T	1	1	22	41	38	31.2	26.4	44.0	62.2