

MALE ELBOWS

40

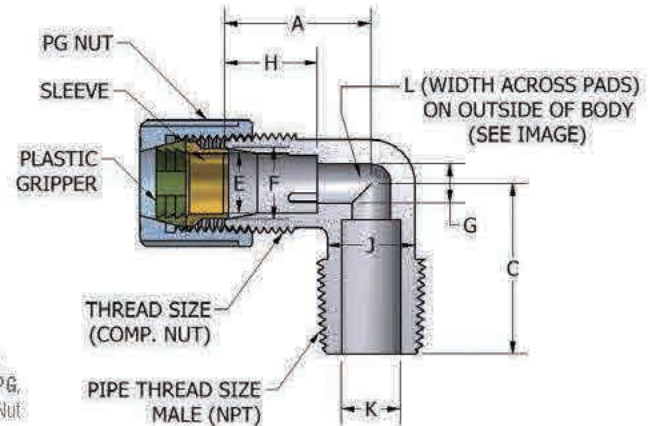


Diagram shown with Nut Style, PG, Plastic Gripper Nut.

Male Elbows

JACO Part No.	Cont.	Tube	Pipe	MIL	Nut	Tube O.D.	Pipe Thd. NPT	Comp. Thd.	A	C	E	F	G	H	J	K	L
									±1/64	±1/64	+ .005 + .010		± .010	±1/64	±1/64	±1/64	±1/64
40 - 2 - 2 -						1/8	1/8	5/16-24	9/16	5/8	.125	.180-.185	.109	7/16	1/4	13/64	1/4
40 - 4 - 2 -						1/4	1/8	7/16-20	13/16	13/16	.250	.330-.335	.170	15/32	3/8	.250	3/8
40 - 4 - 4 -						1/4	1/4	7/16-20	13/16	1-1/64	.250	.330-.335	.218	15/32	3/8	9/32	3/8
40 - 4 - 6 -						1/4	3/8	7/16-20	55/64	1-1/32	.250	.330-.335	.218	15/32	35/64	3/8	35/64
40 - 5 - 2 -						5/16	1/8	1/2-20	29/32	29/32	.312	.380-.385	.232	31/64	7/16	1/4	7/16
40 - 5 - 4 -						5/16	1/4	1/2-20	29/32	1-5/64	.312	.380-.385	.232	31/64	7/16	1/4	7/16
40 - 6 - 4 -						3/8	1/4	5/8-20	15/16	1-1/32	.375	.460-.465	.250	19/32	37/64	5/16	37/64
40 - 6 - 6 -						3/8	3/8	5/8-20	15/16	1-1/32	.375	.460-.465	.250	19/32	9/16	3/8	9/16
40 - 8 - 4 -						1/2	1/4	3/4-20	1-3/32	1-1/8	.500	.590-.595	.375	11/16	11/16	5/16	11/16
40 - 8 - 6 -						1/2	3/8	3/4-20	1-5/64	1-1/8	.500	.590-.595	.375	11/16	11/16	3/8	11/16
40 - 8 - 8 -						1/2	1/2	3/4-20	1-1/16	1-1/4	.500	.590-.595	.375	11/16	11/16	3/8	11/16
40 - 10 - 6 -						5/8	3/8	7/8-20	1-17/64	1-17/64	.625	.715-.720	.500	45/64	13/16	3/8	55/64
40 - 10 - 8 -						5/8	1/2	7/8-20	1-9/32	1-29/64	.625	.715-.720	.500	45/64	13/16	1/2	55/64

MATERIAL
 K20P
 NIT