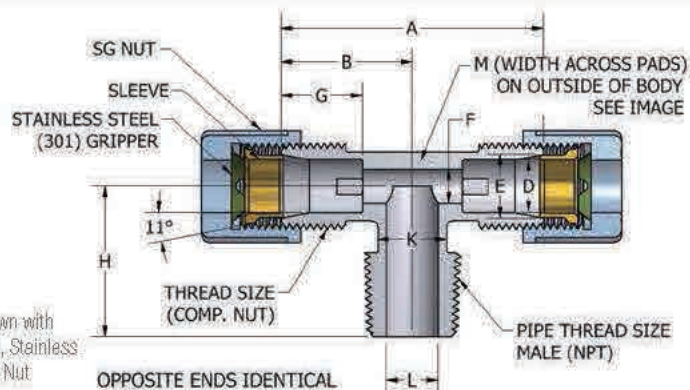


MALE BRANCH TEES

60



Male Branch Tees

JACO Part No.	Tube O.D.	Pipe Thd. NPT	Comp. Thd.	A	B	D	E	F	G	H	K	L	M
60 - 4 - 2	1/4	1/8	7/16-20	±1/64	±1/64	+0.005 +0.010	.330-.335	.170	±1/64	±1/64	±1/64	±1/64	±1/64
60 - 4 - 4	1/4	1/4	7/16-20	1-29/64	47/64	.250	.330-.335	.170	±1/64	±1/64	±1/64	±1/64	±1/64
60 - 5 - 4	5/16	1/4	1/2-20	1-39/64	13/16	.312	.380-.385	.232	±1/64	±1/64	±1/64	±1/64	±1/64
60 - 6 - 4	3/8	1/4	5/8-20	1-15/16	31/32	.375	.460-.465	.250	±1/64	±1/64	±1/64	±1/64	±1/64
60 - 6 - 6	3/8	3/8	5/8-20	1-29/32	61/64	.375	.460-.465	.250	±1/64	±1/64	±1/64	±1/64	±1/64
60 - 8 - 6	1/2	3/8	3/4-20	2-13/64	1-7/64	.500	.590-.595	.375	±1/64	±1/64	±1/64	±1/64	±1/64
60 - 8 - 8	1/2	1/2	3/4-20	2-7/32	1-1/8	.500	.590-.595	.375	±1/64	±1/64	±1/64	±1/64	±1/64
60 - 10 - 8	5/8	1/2	7/8-20	2-17/32	1-1/4	.325	.715-.720	.500	±1/64	±1/64	±1/64	±1/64	±1/64
60 - 12 - 8	3/4	1/2	1-1/16-20	3-7/64	1-9/16	.750	.860-.865	.625	±1/64	±1/64	±1/64	±1/64	±1/64
60 - 12 - 12	3/4	3/4	1-1/16-20	3-7/64	1-9/16	.750	.860-.865	.625	±1/64	±1/64	±1/64	±1/64	±1/64
60 - 14 - 12	7/8	3/4	1-3/16-16	3-3/32	1-35/64	.875	.965-1.000	.750	±1/64	±1/64	±1/64	±1/64	±1/64