

MALE RUN TEES

75

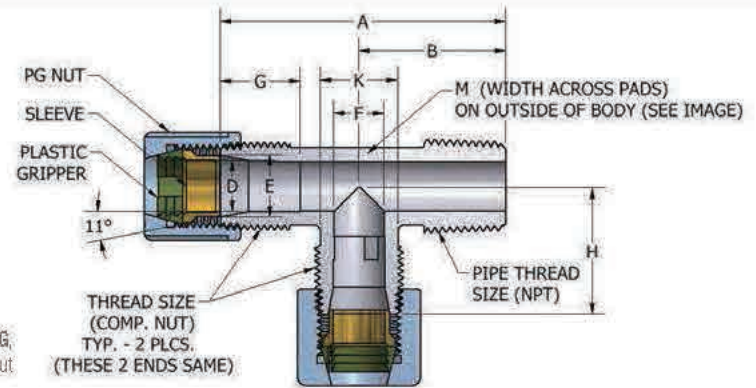


Diagram shown
with Nut Style, PG,
Plastic Gripper Nut

Male Run Tees

JACO Part No.	Cont.	Tube	Pipe	Mtl.	Nut	Tube O.D.	Pipe Thd. NPT	Comp. Thd.	A	B	D	E	F	G	H	K	M	
									±1/64	±1/64	+0.005			±0.010	±1/64	±1/64	±1/64	±1/64
75 - 4 - 2 -	4	2				1/4	1/8	7/16-20	1-15/32	3/4	.250	.330-.335	.170	15/32	47/64	3/8	23/64	
75 - 4 - 4 -	4	4				1/4	1/4	7/16-20	1-21/32	15/16	.250	.330-.335	.170	15/32	47/64	3/8	3/8	
75 - 5 - 4 -	5	4				5/16	1/4	1/2-20	1-3/16	1-1/64	.312	.380-.385	.232	31/64	13/16	7/16	7/16	
75 - 6 - 4 -	6	4				3/8	1/4	5/8-20	2	1-3/64	.375	.460-.465	.250	19/32	31/32	35/64	35/64	
75 - 6 - 6 -	6	6				3/8	3/8	5/8-20	2-1/8	1-3/32	.375	.460-.465	.250	19/32	31/32	37/64	37/64	
75 - 8 - 6 -	8	6				1/2	3/8	3/4-20	2-1/4	1-9/64	.500	.590-.595	.375	11/16	1-7/64	11/16	11/16	
75 - 8 - 8 -	8	8				1/2	1/2	3/4-20	2-3/8	1-9/32	.500	.590-.595	.375	11/16	1-3/32	21/32	43/64	
75 - 10 - 8 -	10	8				5/8	1/2	7/8-20	2-47/64	1-15/32	.625	.715-.720	.500	45/64	1-1/4	13/16	13/16	
75 - 12 - 8 -	12	8				3/4	1/2	1-1/16-20	3-3/16	1-39/64	.750	.860-.865	.625	13/16	1-37/64	1	1-3/64	
75 - 12 - 12 -	12	12				3/4	3/4	1-1/16-20	3-3/16	1-5/8	.750	.860-.865	.625	13/16	1-9/16	1	1-3/64	
75 - 14 - 12 -	14	12				7/8	3/4	1-3/16-16	3-3/16	1-5/8	.875	.995-1.000	.750	7/8	1-9/16	1-1/8	1-3/16	

MATERIAL K Z C V
NUT 6 V 6 P C