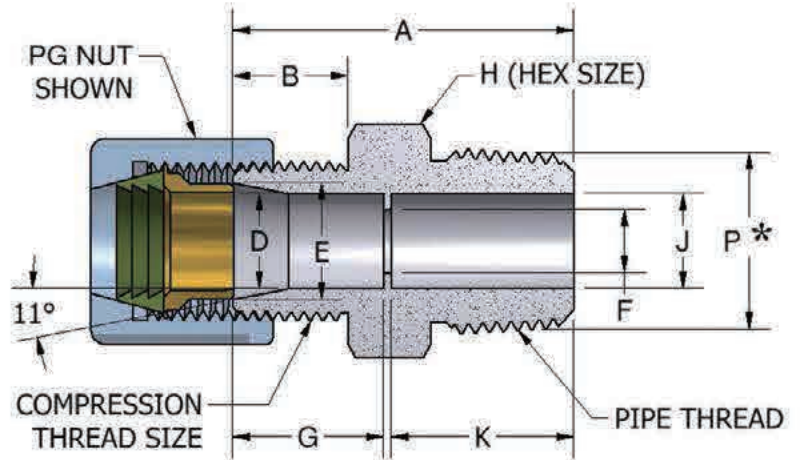


MALE CONNECTORS

10



Section shown with Nut Style, PG, Plastic Gripper Nut

*Note: (P-1/4 in.) = Pipe Thread Size (See Table)

MALE CONNECTORS

Jaco Part No. Prefix	Tube O.D.	Pipe Thd. NPT	Comp. Thd.	A	B	D	E	F	G	H	J	K	P*	P*-1/4 = PIPE THD
10 - 2 - 2 - 2 -	1/8	1/8	5/16-24	±1/64	±1/64	.125	.175-.180	.109	7/16	7/16	15/64	25/64	3/8	1/8
10 - 4 - 2 - 2 -	1/4	1/8	7/16-20	±1/64	±1/64	.250	.330-.335	.170	15/32	5/8	3/16	15/32	3/8	1/8
10 - 4 - 4 - 4 -	1/4	1/4	7/16-20	±1/64	±1/64	.250	.330-.335	.170	15/32	5/8	5/16	11/16	1/2	1/4
10 - 4 - 6 - 6 -	1/4	3/8	7/16-20	±1/64	±1/64	.250	.330-.335	.170	15/32	13/16	3/8	43/64	5/8	3/8
10 - 5 - 2 - 2 -	5/16	1/8	1/2-20	±1/64	±1/64	.312	.380-.385	.250	31/64	11/16	1/4	Thru	3/8	1/8
10 - 5 - 4 - 4 -	5/16	1/4	1/2-20	±1/64	±1/64	.312	.380-.385	.232	31/64	11/16	5/16	41/64	1/2	1/4
10 - 6 - 2 - 2 -	3/8	1/8	5/8-20	±1/64	±1/64	.375	.460-.465	.250	19/32	13/16	1/4	Thru	3/8	1/8
10 - 6 - 4 - 4 -	3/8	1/4	5/8-20	±1/64	±1/64	.375	.460-.465	.312	19/32	13/16	5/16	Thru	1/2	1/4
10 - 6 - 6 - 6 -	3/8	3/8	5/8-20	±1/64	±1/64	.375	.460-.465	.250	19/32	13/16	3/8	23/32	5/8	3/8
10 - 6 - 8 - 8 -	3/8	1/2	5/8-20	±1/64	±1/64	.375	.460-.465	.250	19/32	15/16	15/32	15/16	3/4	1/2
10 - 8 - 2 - 2 -	1/2	1/8	3/4-20	±1/64	±1/64	.500	.590-.595	.250	11/16	15/16	1/4	Thru	3/8	1/8
10 - 8 - 4 - 4 -	1/2	1/4	3/4-20	±1/64	±1/64	.500	.590-.595	.312	11/16	15/16	5/16	Thru	1/2	1/4
10 - 8 - 6 - 6 -	1/2	3/8	3/4-20	±1/64	±1/64	.500	.590-.595	.375	11/16	15/16	3/8	Thru	5/8	3/8
10 - 8 - 8 - 8 -	1/2	1/2	3/4-20	±1/64	±1/64	.500	.590-.595	.375	11/16	15/16	15/32	57/64	3/4	1/2
10 - 10 - 6 - 6 -	5/8	3/8	7/8-20	±1/64	±1/64	.625	.715-.720	.375	45/64	1-1/16	3/8	Thru	5/8	3/8
10 - 10 - 8 - 8 -	5/8	1/2	7/8-20	±1/64	±1/64	.625	.715-.720	.484	45/64	1-1/16	31/64	Thru	3/4	1/2
10 - 12 - 8 - 8 -	3/4	1/2	1-1/16-20	±1/64	±1/64	.750	.860-.865	.500	13/16	1-5/16	1/2	Thru	3/4	1/2
10 - 12 - 12 - 12 -	3/4	3/4	1-1/16-20	±1/64	±1/64	.750	.860-.865	.625	13/16	1-5/16	5/8	Thru	1	3/4
10 - 14 - 12 - 12 -	7/8	3/4	1-3/16-16	±1/64	±1/64	.875	.995-1.000	.625	7/8	1-7/16	5/8	Thru	1	3/4

*Note: Dimensional sizes indicated throughout catalog tables are based on Acetal Copolymer and PVDF material shrink rates except where noted.