

UNION TEES

70

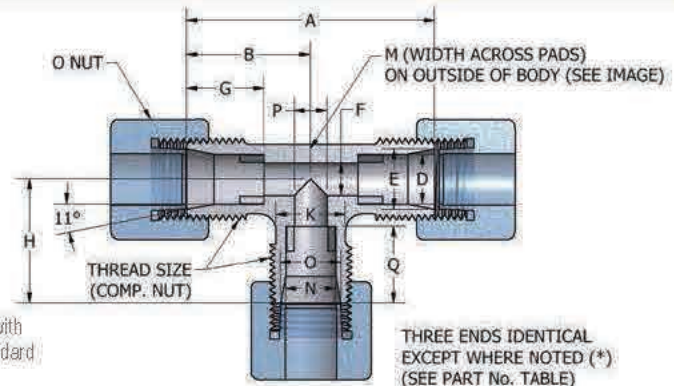


Diagram shown with Nut Style, O, Standard Ferrule Nut

Union Tees

JACO Part No.	Tube O.D.	Comp. Thd.	A	B	D	E	F	G	H	K	M	N	O	P	Q
Conf.	Tube	Mtl.			+005	+005						+005	+005		
70 - 2	1/8	5/16-24	±1/64	±1/64	+010	-000	±1/64	±1/64	±1/64	±1/64	±1/64	+010	-000	±010	±1/64
70 - 4	1/4	7/16-20	1-7/16	47/64	.250	.330	.218	15/32	23/32	3/8	23/64	N/A	N/A	N/A	N/A
70 - 5	5/16	1/2-20	1-19/32	13/16	.312	.380	.232	31/64	13/16	7/16	29/64	N/A	N/A	N/A	N/A
70 - 6	3/8	5/8-20	1-59/64	31/32	.375	.460	.250	19/32	31/32	35/64	35/64	N/A	N/A	N/A	N/A
70 - 8	1/2	3/4-20	2-1/8	1-1/16	.500	.590	.375	11/16	1-1/16	43/64	11/16	N/A	N/A	N/A	N/A
70 - 10	5/8	7/8-20	2-35/64	1-17/64	.625	.715	.500	45/64	1-1/4	53/64	53/64	N/A	N/A	N/A	N/A
70 - 12	3/4	1-1/16-20	3-3/32	1-35/64	.750	.860	.625	13/16	1-35/64	1	1-1/16	N/A	N/A	N/A	N/A
70 - 14	7/8	1-3/16-16	3-3/32	1-35/64	.875	.995	.750	7/8	1-35/64	1-1/8	1-3/16	N/A	N/A	N/A	N/A
*70-10-6-M-N	5/8-3/8	7/8-20-5/8-20	2-17/32	1-17/64	.625	.715	.500	45/64	1-9/64	13/16	13/16	.375	.460	.250	19/32
*70-14-10-M-N	7/8-5/8	1-3/16-16-7/8-20	3-3/32	1-35/64	.875	.995	.750	7/8	1-7/16	1-9/64	1-5/32	.625	.715	.500	45/64
*70-14-10-10-M-N	7/8-5/8	1-3/16-16-7/8-20	3-1/64	1-29/64	.875	.995	.500	7/8	1-7/16	1-9/64	1-5/32	.625	.715	.715	45/64

*Note: M= Material Selection, N=Nut Selection