

# REDUCING UNION CONNECTORS

# 15

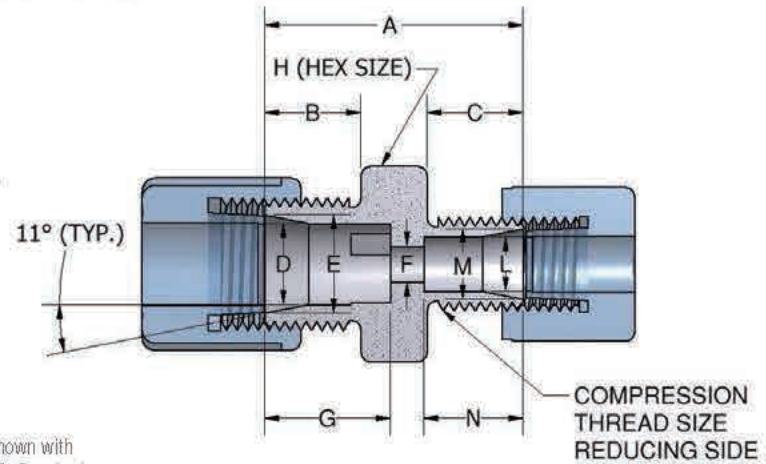


Diagram shown with  
Nut Style, 0, Standard  
Ferrule Nut

## REDUCING UNIONS

JACO Part No.	Cont.	Tube	Tube	Mtl.	Nut	Tube O.D.	Comp. Thd.	Comp. Thd.	A	B	C	D	E	F	G	H	L	M	N
									±1/64	±1/64	±1/64	+005 +010		±1/64	±1/64	±1/64	+005 +010		±1/64
15 - 4 - 2 - P - 0						1/4-1/8	7/16-20	5/16-24	.59-.64	3/8	5/16	.250	.330-.335	.109	15/32	5/8	.125	.175-.180	7/16
15 - 5 - 4 - P - 0						5/16-1/4	1/2-20	7/16-20	1	3/8	3/8	.312	.380-.385	.170	31/64	11/16	.250	.330-.335	15/32
15 - 6 - 4 - P - 0						3/8-1/4	5/8-20	7/16-20	1-3/16	29/64	29/64	.375	.460-.465	.170	19/32	13/16	.250	.300-.335	15/32
15 - 8 - 6 - P - 0						1/2-3/8	3/4-20	5/8-20	1-5/16	9/16	29/64	.500	.590-.595	.250	11/16	15/16	.375	.460-.465	19/32
15 - 10 - 6 - P - 0						5/8-3/8	7/8-20	5/8-20	1-23/64	19/32	15/32	.625	.715-.720	.250	45/64	1-1/16	.375	.460-.465	19/32
15 - 10 - 8 - P - 0						5/8-1/2	7/8-20	3/4-20	1-15/32	19/32	9/16	.625	.715-.720	.375	45/64	1-1/16	.500	.590-.595	11/16
15 - 14 - 10 - P - 0						7/8-5/8	1-3/16-16	7/8-20	1-21/32	3/4	17/32	.875	.995-1.000	.500	7/8	1-7/16	.625	.715-.720	45/64