

# UNION CONNECTORS

# 15

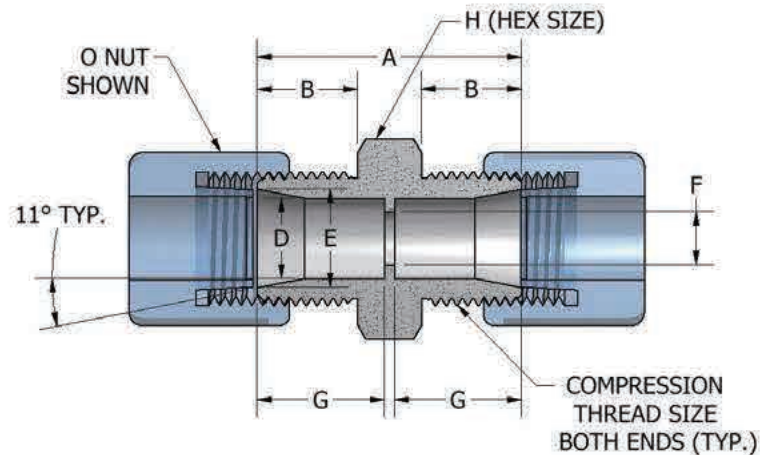


Diagram shown with Nut Style, 0, Standard Ferrule Nut

## UNION CONNECTORS

JACO Part No.	Conf.	Tube	MATERIAL	NUT	Tube O.D.	Comp. Thd.	A	B	D	E	F	G	H
							$\pm 1/64$	$\pm 1/64$	+006 +010		$\pm 010$	$\pm 1/64$	$\pm 1/64$
15 - 4	4	P	P	0	1/4	7/16-20	63/64	3/8	.250	.330-.335	.170	15/32	5/8
15 - 5	5	P	P	0	5/16	1/2-20	1-1/32	25/64	.312	.380-.385	.232	31/64	11/16
15 - 6	6	P	P	0	3/8	5/8-20	1-15/64	15/32	.375	.460-.465	.250	19/32	13/16
15 - 8	8	P	P	0	1/2	3/4-20	1-7/16	9/16	.500	.590-.595	.375	11/16	15/16
15 - 10	10	P	P	0	5/8	7/8-20	1-1/2	19/32	.625	.715-.720	.500	45/64	1-1/16
15 - 12	12	P	P	0	3/4	1-1/16-20	1-3/4	43/64	.750	.860-.865	.625	13/16	1-5/16
15 - 14	14	P	P	0	7/8	1-3/16-16	1-57/64	3/4	.875	.995-1.000	.750	7/8	1-7/16