

PFA D.I. Water Spray Gun

PFA D.I. Water Spray Gun

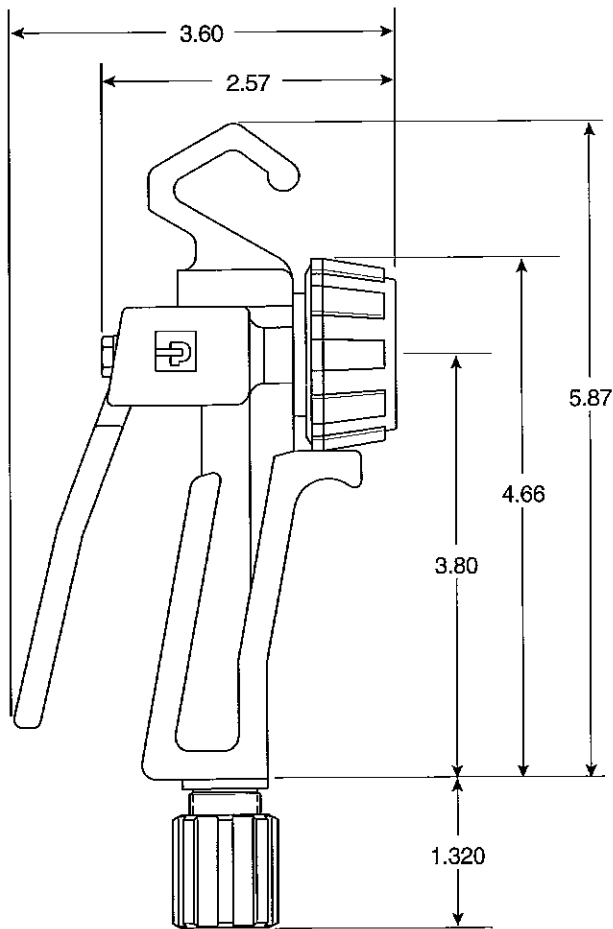
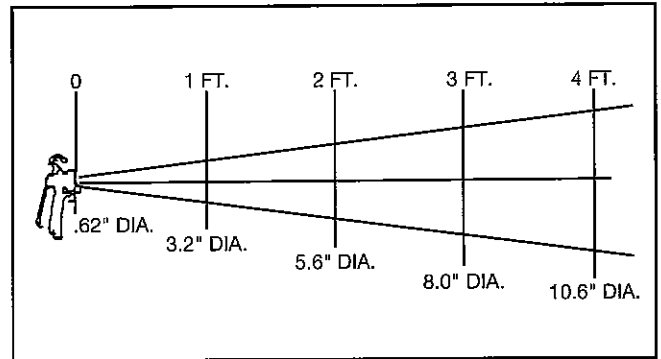
- Removable & Reversible Hanger
- Low Dead Volume
- Optional Recirculating Kit

Specifications

- Pressure Range: 80 PSIG (552kPa)
- Wetted Material: PFA, PTFE
- Non-Wetted Material: PVDF
- Orifice: 3/16" (4.47mm)

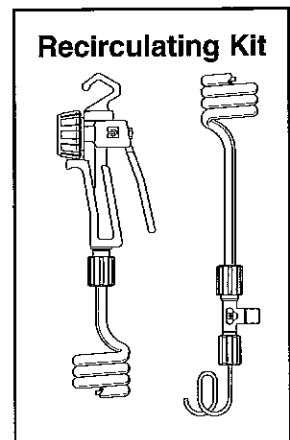
Spray Pattern of D.I. Water Spray Gun

(Distance from head)



Ordering Information

Part Number	Description
SG-1-01	D.I. Water Gun only with 1/4" FNPT connection
SG-1-02	D.I. Water Gun only 3/8" flare connection
SG-1-02-01	D.I. Water Gun with recirculating assembly. Contains 8 ft. of PFA Tubing (3/8" & 1/8" size) and recirculating tee
FBMTR-2G64	Recirculating Tee Connector
1002-0128	Recirculating Kit assembly. Includes: 8 ft. of PFA Tubing (3/8" & 1/8" size) and recirculating tee
1002-0161	Coiled 3/8" PFA Tubing 8 ft. length
1207-0010	Replacement cap
1207-0011	Replacement cap disk
1207-0012	Replacement hanger



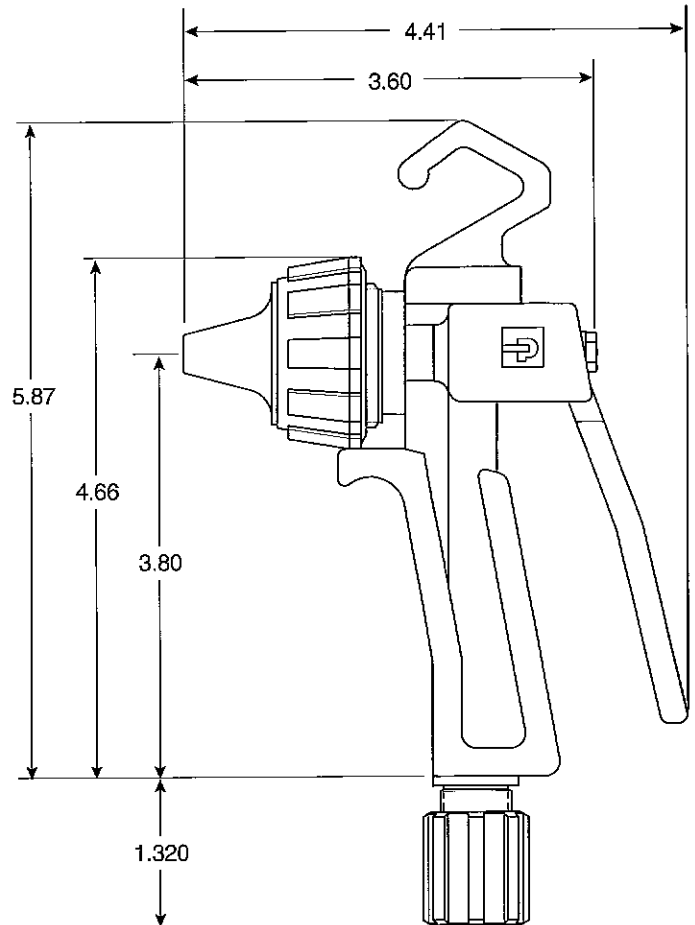
PFA Nitrogen Spray Gun

PFA Nitrogen Spray Gun

- Removable & Reversible Hanger
- Low Dead Volume

Specifications

- Pressure Range: 75 PSIG (517kPa)
- Wetted Material: PFA, PTFE, and Polyethylene
- Orifice: 3/16" (4.47mm)



Ordering Information

Part Number	Description
SG-1-03	Nitrogen Spray Gun only with 1/4" FNPT connection, No Filter*
SG-1-04	Nitrogen Spray Gun only with 3/8" flare connection, No Filter*
FAMS-64	3/8" x 1/4" Flare adaptor male straight
1002-0161	Coiled 3/8" PFA tubing 8 ft. length
1207-0009	Replacement nozzle
1207-0012	Replacement hanger
4999-0114	0.5 Micron Filter Replacement
4999-0115	0.2 Micron Filter Replacement
4999-0118	0.1 Micron Filter Replacement

*NOTE: Add the following to the end of the part number for filter specification
-1 0.1 Micron filter -2 0.2 Micron filter -5 0.5 Micron filter

